



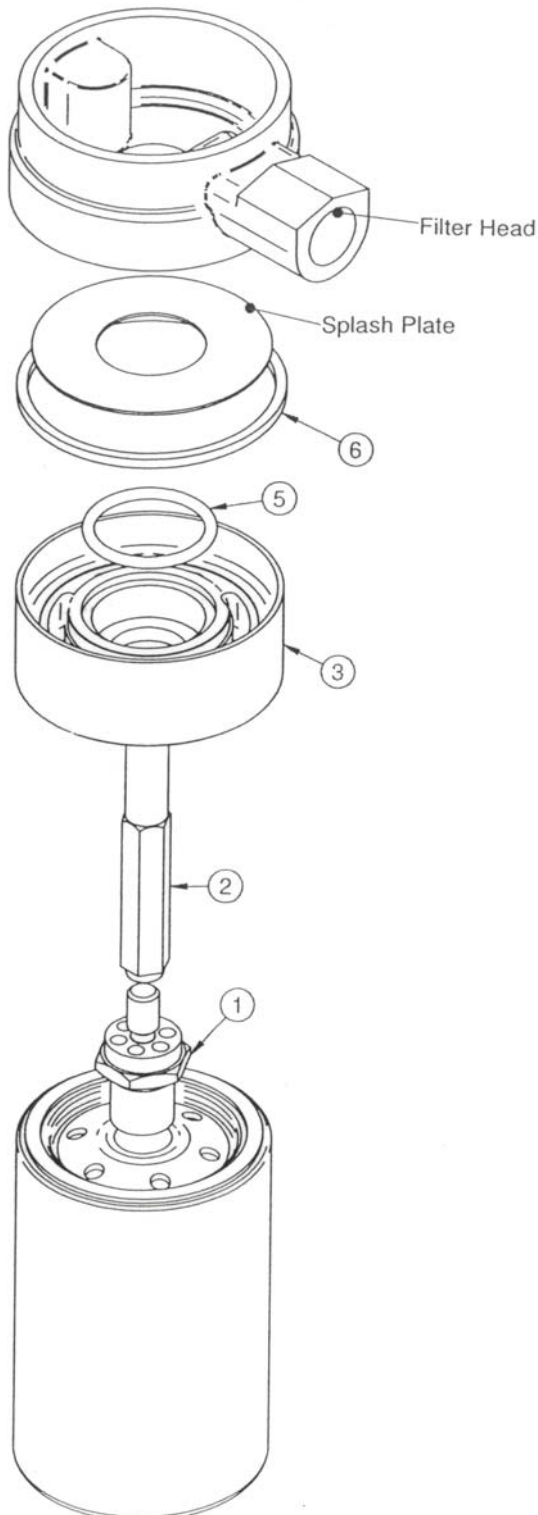
BROWN & GAMMONS LTD

Tel: 01462 490049 Fax: 01462 491940

www.ukmgparts.com

sales@ukmgparts.com

MGA/MGB Spin on Filter Adapters (GFE114KIT) Fitting Instructions



To compensate for the variations in Filter Head tolerances, the Spin On consists of three parts - Spin On Inner, Spin On Outer and an O ring. The variations in tolerances are taken up by the Spin On Outer sliding over the Spin On Inner. The integrity of the seal between the Inner and Outer is maintained by an O ring.

- a. Remove the existing oil filter bowl & sealing ring. Leave the Splash Plate in position.
- b. Fit the extension screw (item 2) to spigot (item 1). Fit the large dia seal (item 6) to the Filter Head.
- c. Apply grease to the O ring (item 5) and then fit to the Spin On assembly (item 3).
- d. To ensure that the inner O ring (item 5) is seated correctly slide the Spin On Outer over the Spin On Inner so that the outer seal face sits back from the Filter Head seal when the unit is assembled to the Filter Head.
- e. Secure the assembly to the filter Head with the spigot and extension screw assembly, tighten the spigot until the O ring contacts the seal face then tighten a further $\frac{1}{4}$ of a turn. Push the Spin On Outer home. The oil seal between the Spin On Outer and the Filter Head will be created when the Oil Filter is fitted.
- f. Fit the Oil Filter in accordance with the manufacturers instructions. Re-tighten after running 100 miles.

- 1 off Spin On Assembly (item 3)
- 1 off O Ring 3.53mm dia (item 5)
- 1 off Seal (item 6)
- 1 off Spigot (item 1)
- 1 off Extension Screw (item 2)